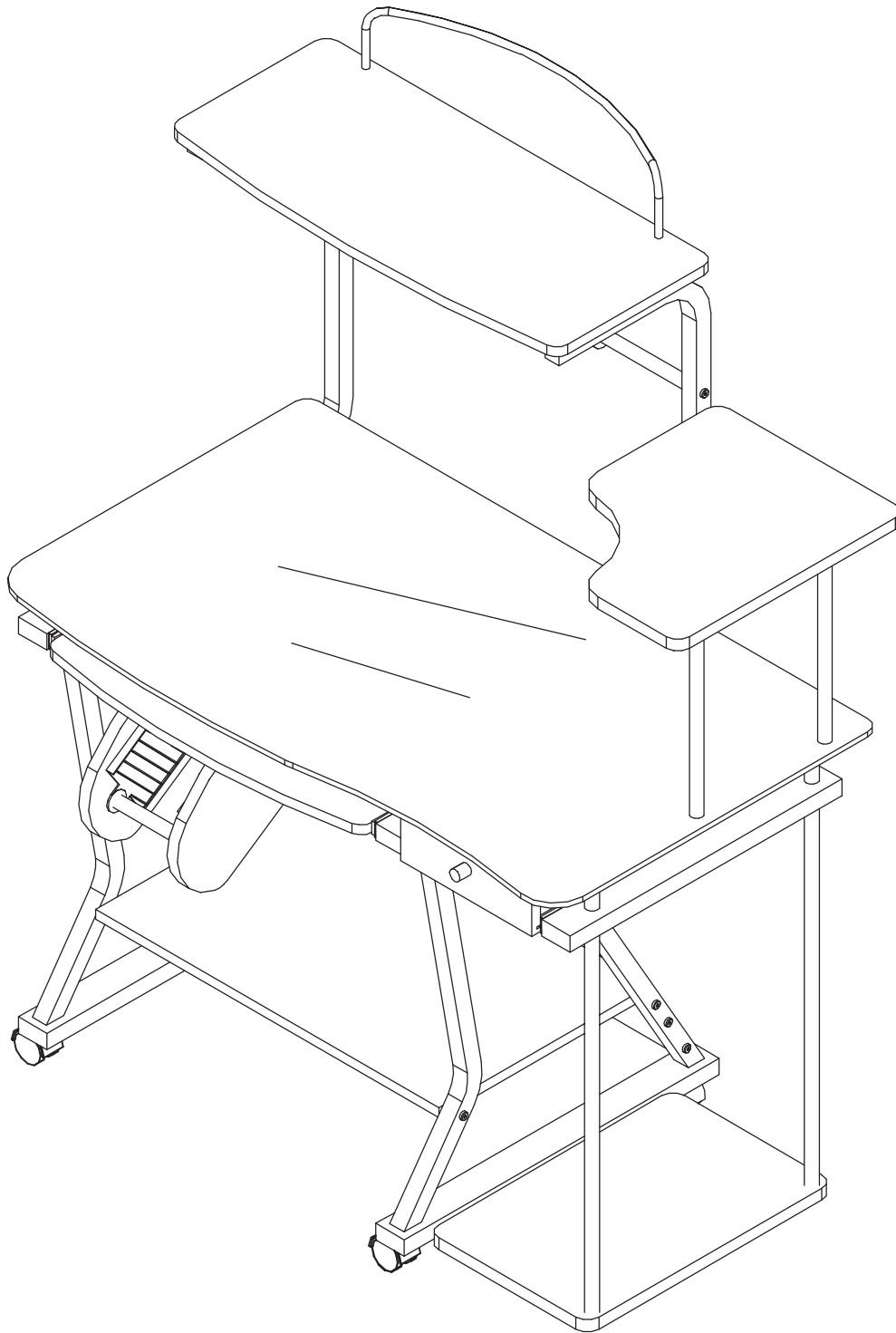
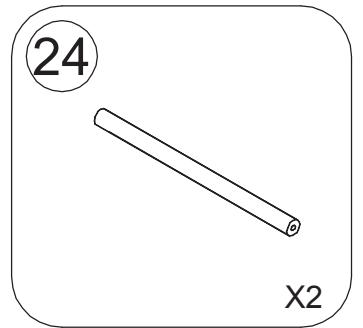
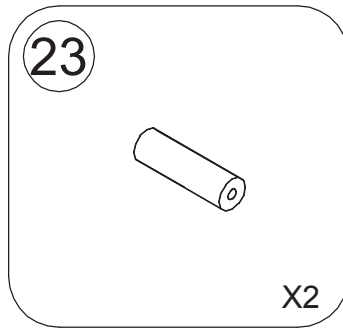
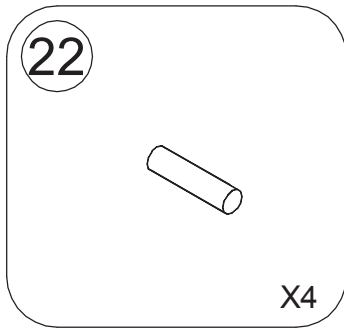
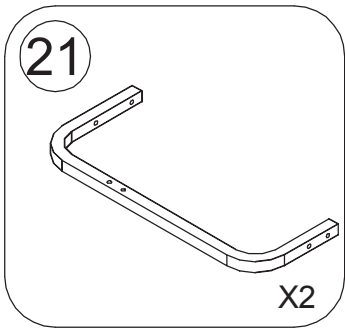
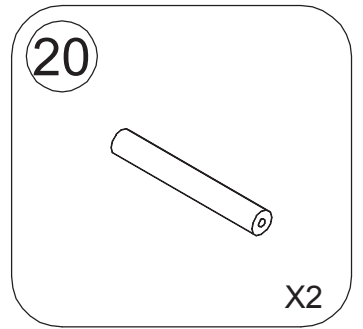
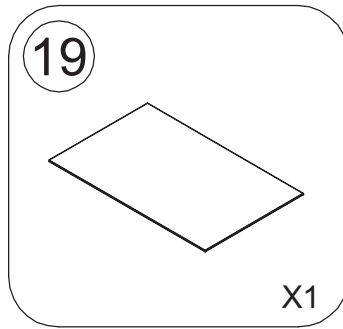
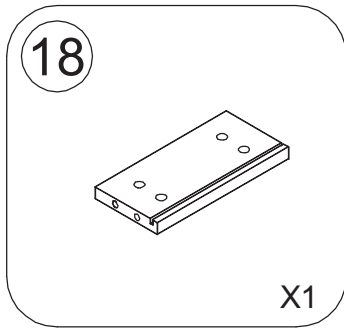
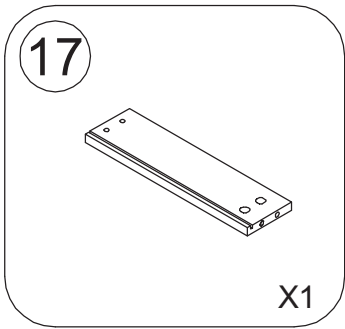
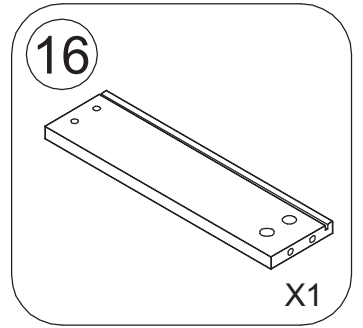
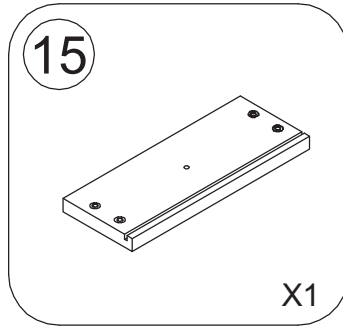
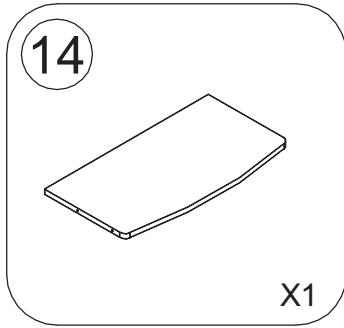
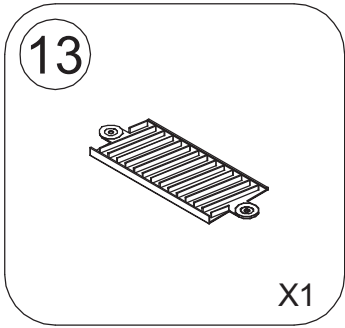
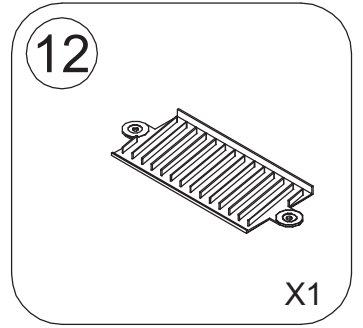
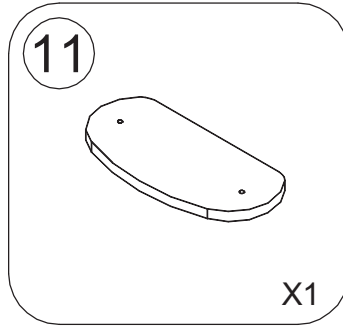
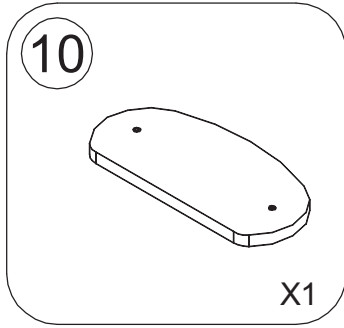
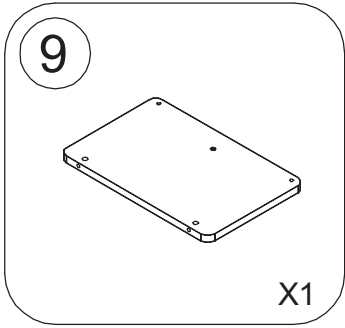
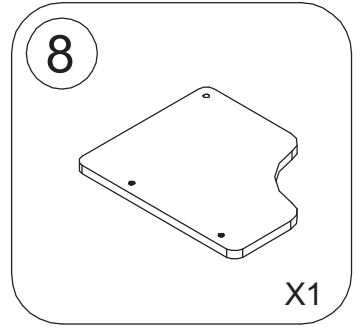
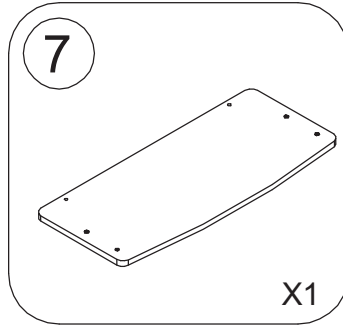
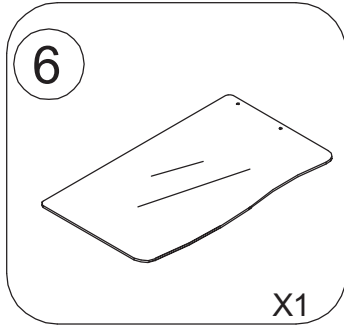
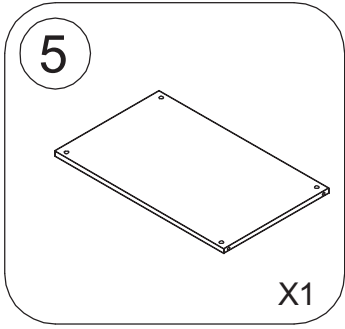
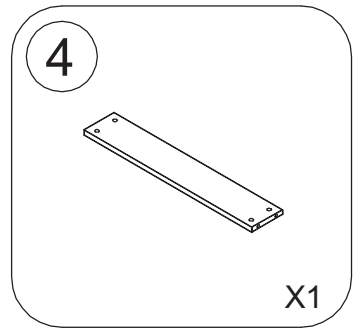
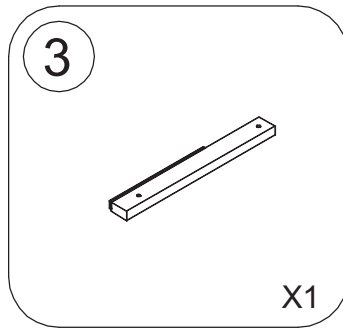
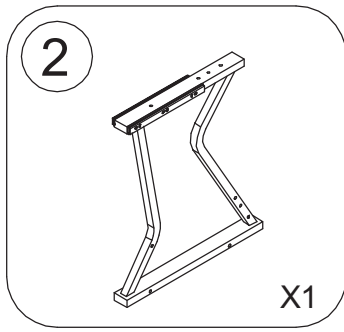
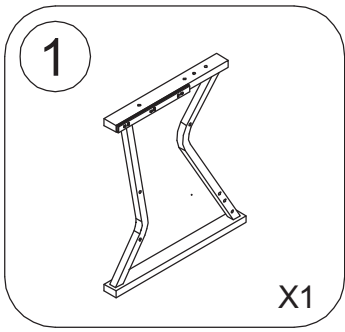


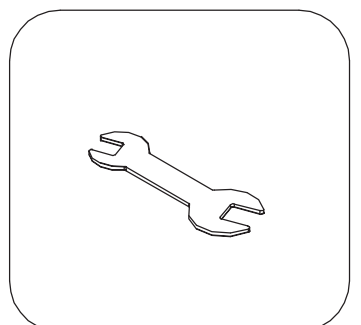
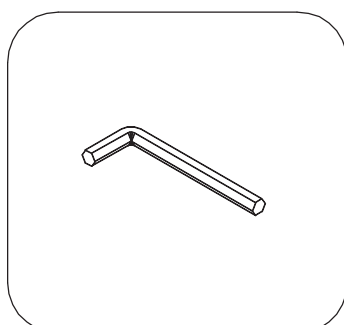
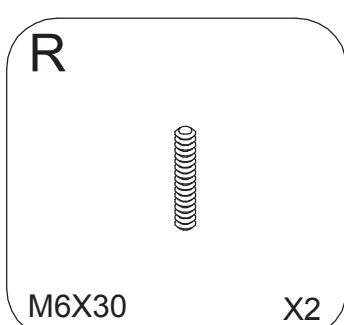
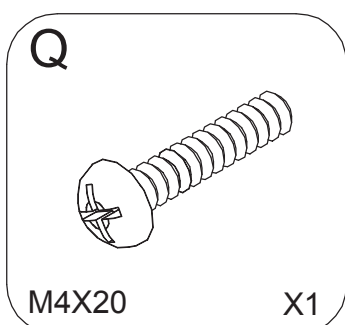
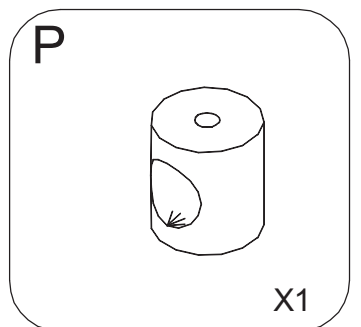
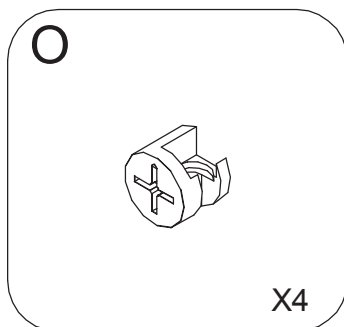
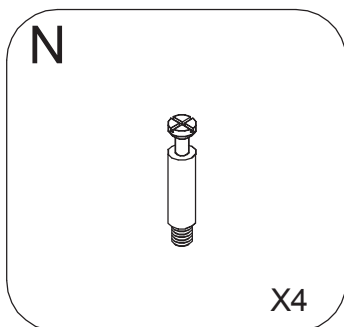
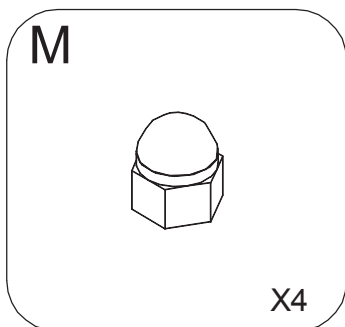
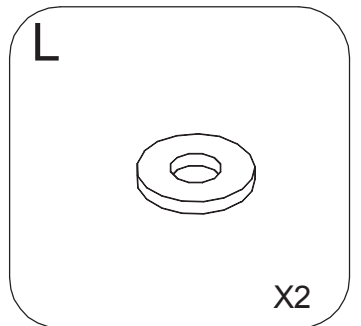
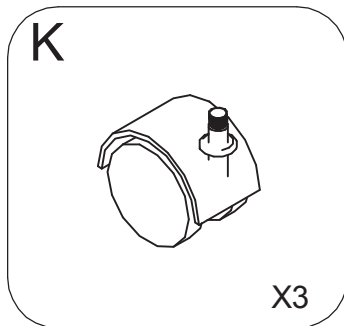
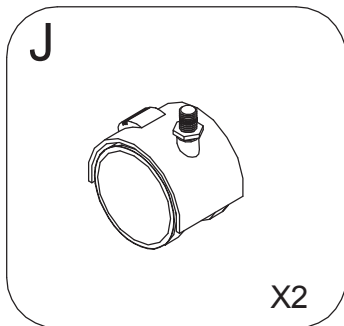
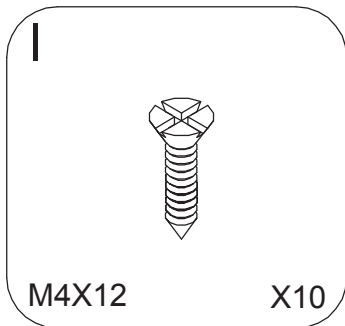
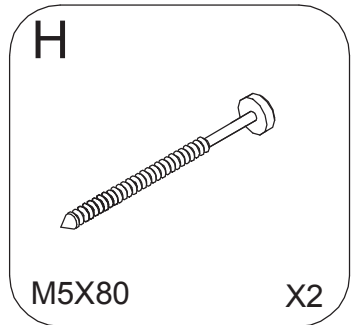
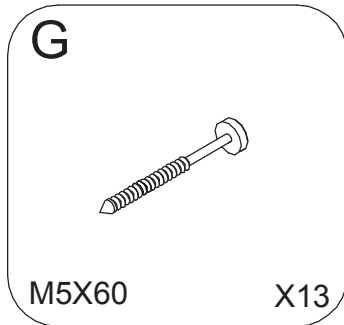
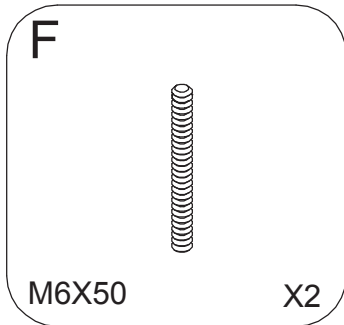
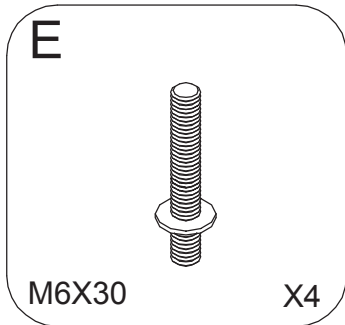
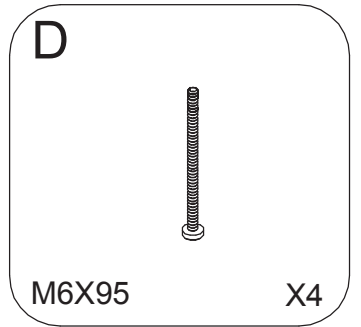
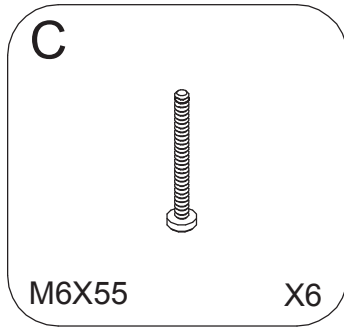
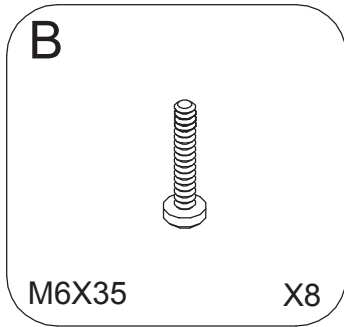
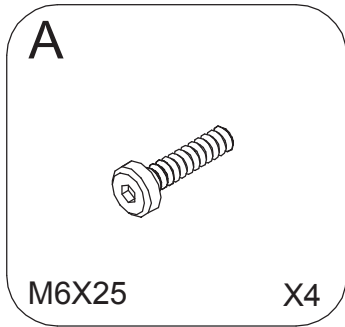
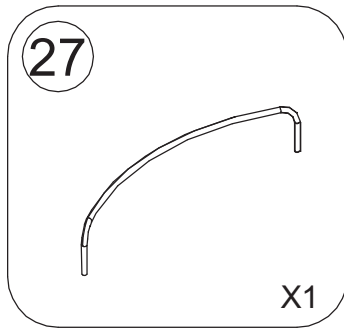
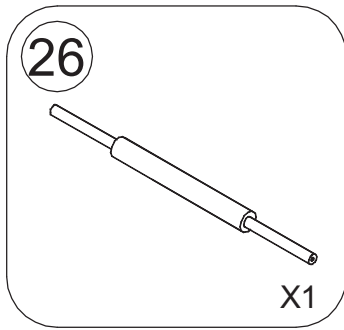
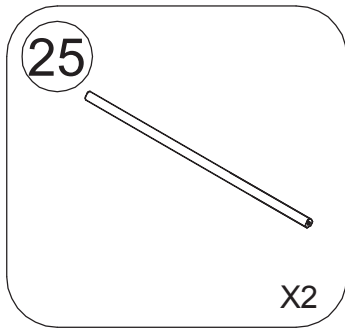
Assembling Instruction

ITEM# ST-S240

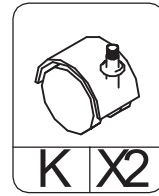
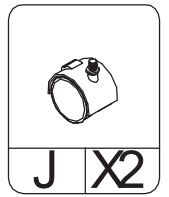
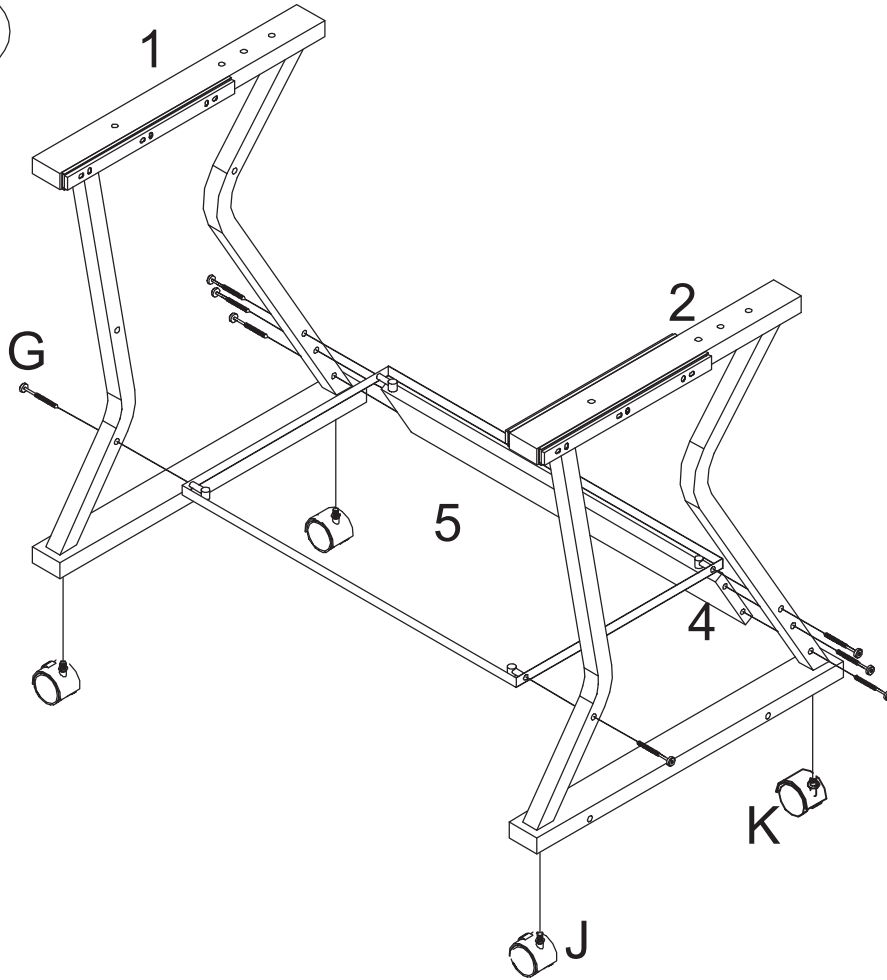
Attention: Do not tighten the screws until all of them are in right positions



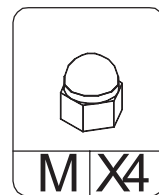
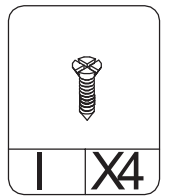
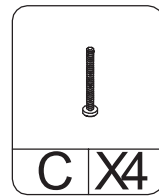
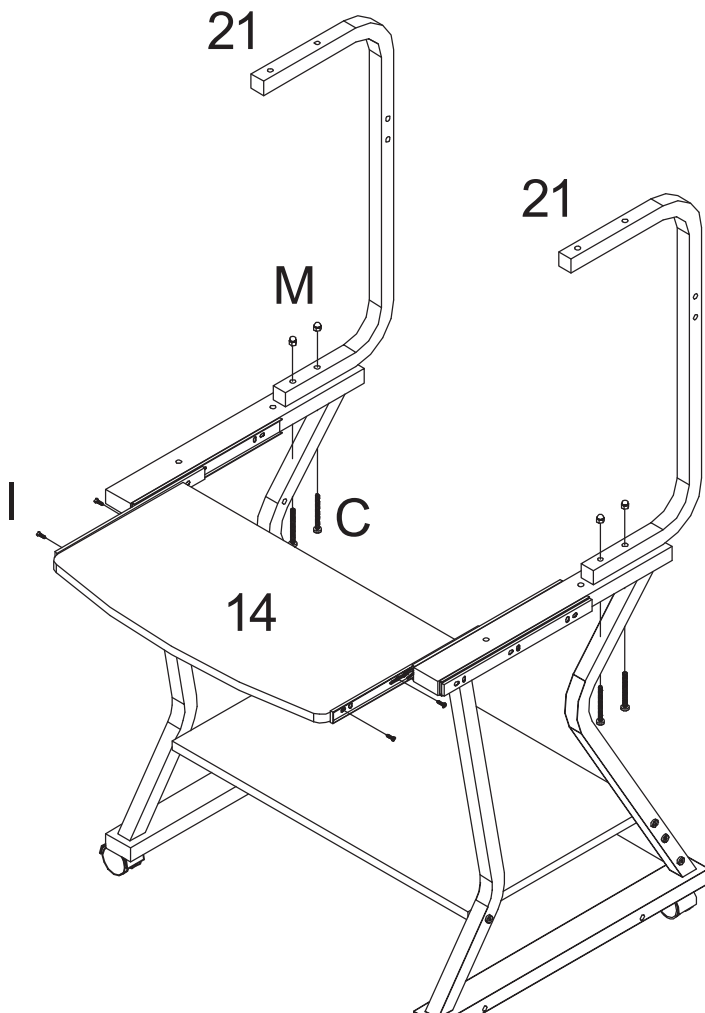




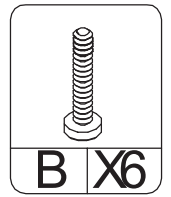
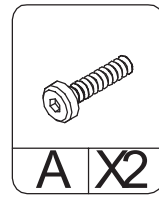
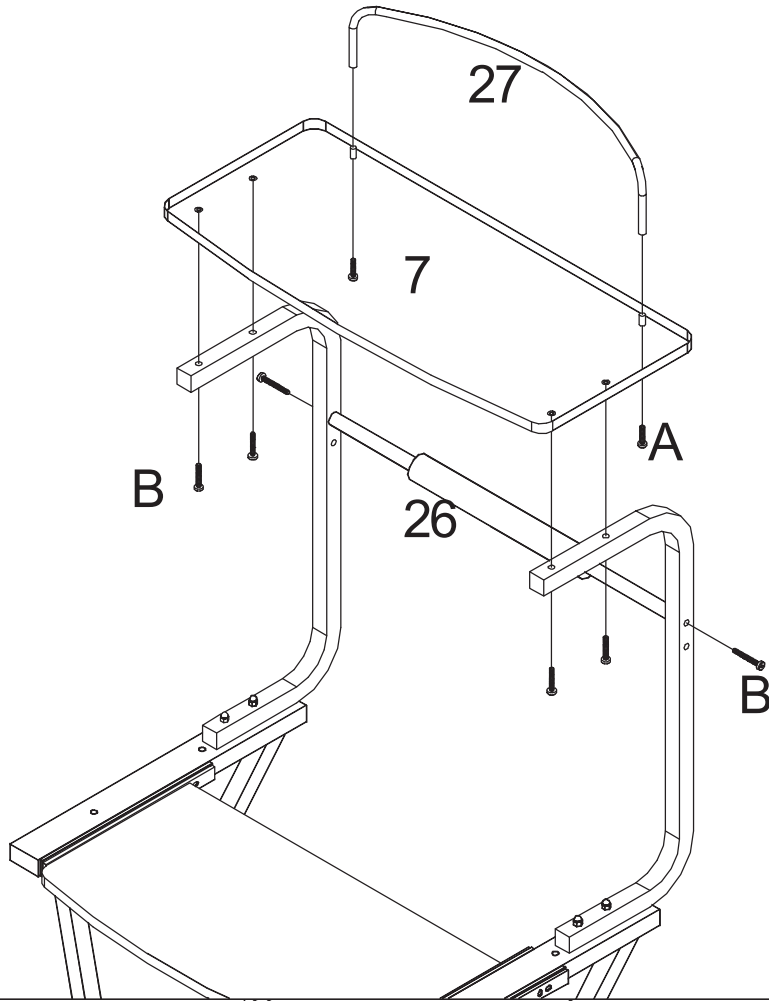
1



2



3



4

